



# ALL AMERICAN MONITORING

## Programming Steps – DSC 1616 / 1832 / 1864

### Program Keyswitch zone:

KEYPAD DISPLAY	ENTER ON KEYPAD	COMMENTS
Enter Section	001	Zone 1 keyswitch
Enter Data XX	22 #	22 is for Zone Type Keyswitch, XX is a previous value # to go back to Enter Section

### Program Output:

KEYPAD DISPLAY	ENTER ON KEYPAD	COMMENTS
Enter Section	009	To program Output 1.
Enter Data XX	05 #	05 is Armed Status, XX is previous value, # to return to Enter Section

### Enable Open/Close Reports:

KEYPAD DISPLAY	ENTER ON KEYPAD	COMMENTS
Enter Section	351	To program phone 1 call direction
Toggle Option 1-----	1 #	1 for alarms.
Enter Section	367	Open/Close Communicator Cell directions.
Toggle Option 1-----	1 #	Toggle 1 to ON to enable Open/Close reports
Enter Section	380	Open/Close Reporting
Toggle Option 1-----	1 #	Open/Close Reporting Enabled

### Set to Contact ID:

KEYPAD DISPLAY	ENTER ON KEYPAD	COMMENTS
Enter Section	350	Program alarm Format
Enter Data	03 #	03 is for CID Format

### Program Phone & Account #:

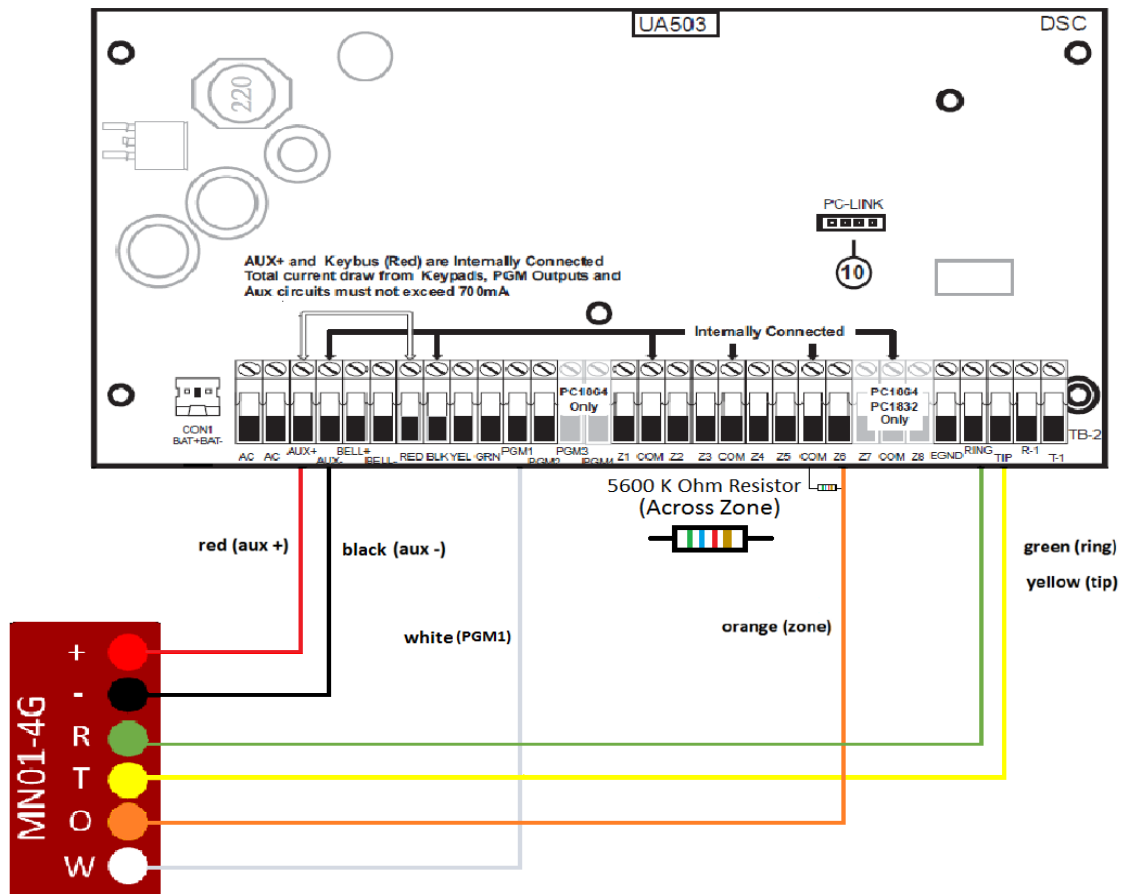
KEYPAD DISPLAY	ENTER ON KEYPAD	COMMENTS
Enter Section	301	Enter Receiver Number OR
Enter Data	*****	Any 10 digits will work
Enter Section	310 & 311	310 Enter Account Number followed by *66
Enter Data	????FF, ????	311 Enter 4 Digit Account Number
Enter Section	#	To get back to main menu



# ALL AMERICAN MONITORING

## Wiring the MN01-4G Cellular Communicator and Programming the Panel

### DSC PC 1616/1832/1864



**NEW FEATURE:** For Mini01-4G-V2, the status of the panel can be retrieved not only from the status PGM but now also from the Keyswitch arm/disarm. Therefore, wiring the white wire and programming of the status PGM of the panel is optional.

Wiring the white wire is necessary only if the Open/Close reporting is enabled.

**IMPORTANT NOTE:** The Open/Close reporting needs to be enabled during the initial pairing procedure.