



ALL AMERICAN MONITORING

Programming Steps – DSC 9047

Program Keyswitch zone& Output:

KEYPAD DISPLAY	ENTER ON KEYPAD	COMMENTS
Enter Section	009	Zone 1 keyswitch
Enter Data XX	22	22 is for Zone Type Keyswitch for I/O 1 XX is previous value
Enter Data XX	05	05 to program Armed Status for I/O 2, XX is previous value
Enter Section	013	First System Options (to select I/O as Input or PGM)
Toggle Option 1-----	1	Assuming the panel is defaulted press the toggle buttons until 1 is ON and 2 is OFF
Enter Section	206	Enter Zone Assignment.
Toggle Option 1-----	1	Toggle option 1 to ON to enable the Keyswitch zone.
	#	Press # to go to the next section

Enable Open/Close Reports:

KEYPAD DISPLAY	ENTER ON KEYPAD	COMMENTS
Enter Section	351	To program phone 1 call direction
Toggle Option 1-----	1 #	Toggle 1 to ON for alarms
Enter Section	367	Open/Close Communicator Cell directions.
Toggle Option 1-----	1 #	Toggle 1 to ON to enable Open/Close reports
Enter Section	380	First Communicator Options
Toggle Option 1-----	1 #	Toggle 1 to ON to Communications Enabled

Set to Contact ID

KEYPAD DISPLAY	ENTER ON KEYPAD	COMMENTS
Enter Section	350	Program alarm Format
Enter Data	03 #	03 is for CID Format

Program Phone & Account #:

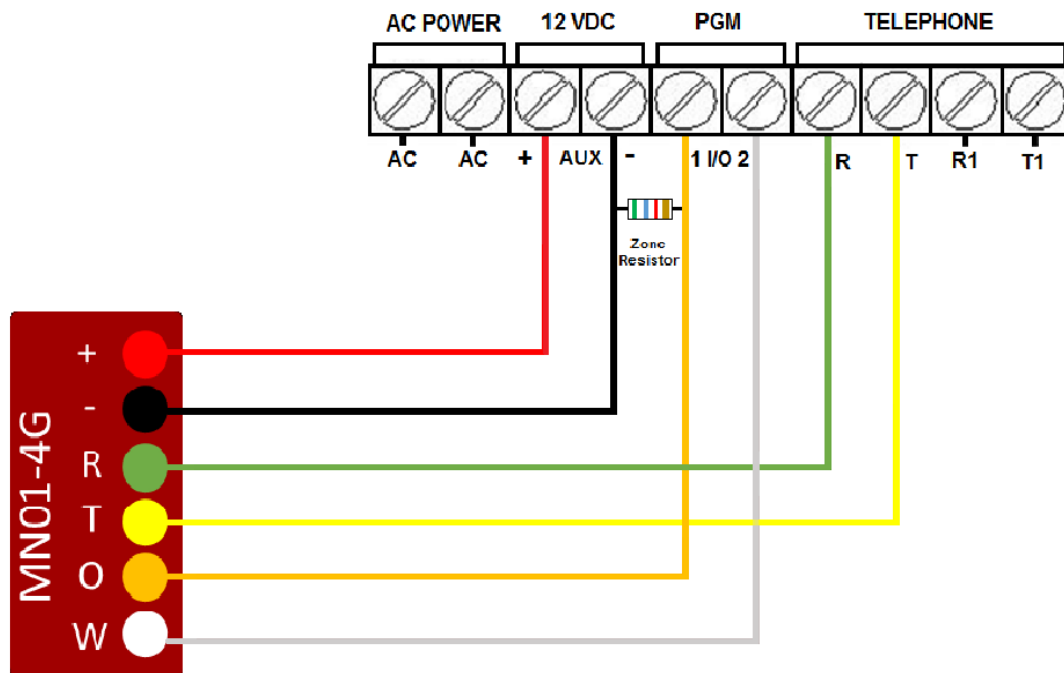
KEYPAD DISPLAY	ENTER ON KEYPAD	COMMENTS
Enter Section	301	Enter Receiver Number OR
Enter Data	*****	Any 10 digits will work
Enter Section	310	Enter Account Number
Enter Data	???	
Enter Section	#	To get back to main menu



ALL AMERICAN MONITORING

Wiring the MN01-4G Cellular Communicator
and Programming the Panel

DSC 9047



NEW FEATURE: For MiNi01-4G-V2, the status of the panel can be retrieved not only from the status PGM but now also from the Open/Close reports from the dialer. Therefore, wiring the white wire and programming of the status PGM of the panel is (optional).

Wiring the white wire is necessary only if the Open/Close reporting is disabled.

IMPORTANT NOTE: The Open/Close reporting needs to be enabled during the initial pairing procedure.