



# ALL AMERICAN MONITORING

## Programming Steps – LYNX PLUS

### Programming: Basic Communication

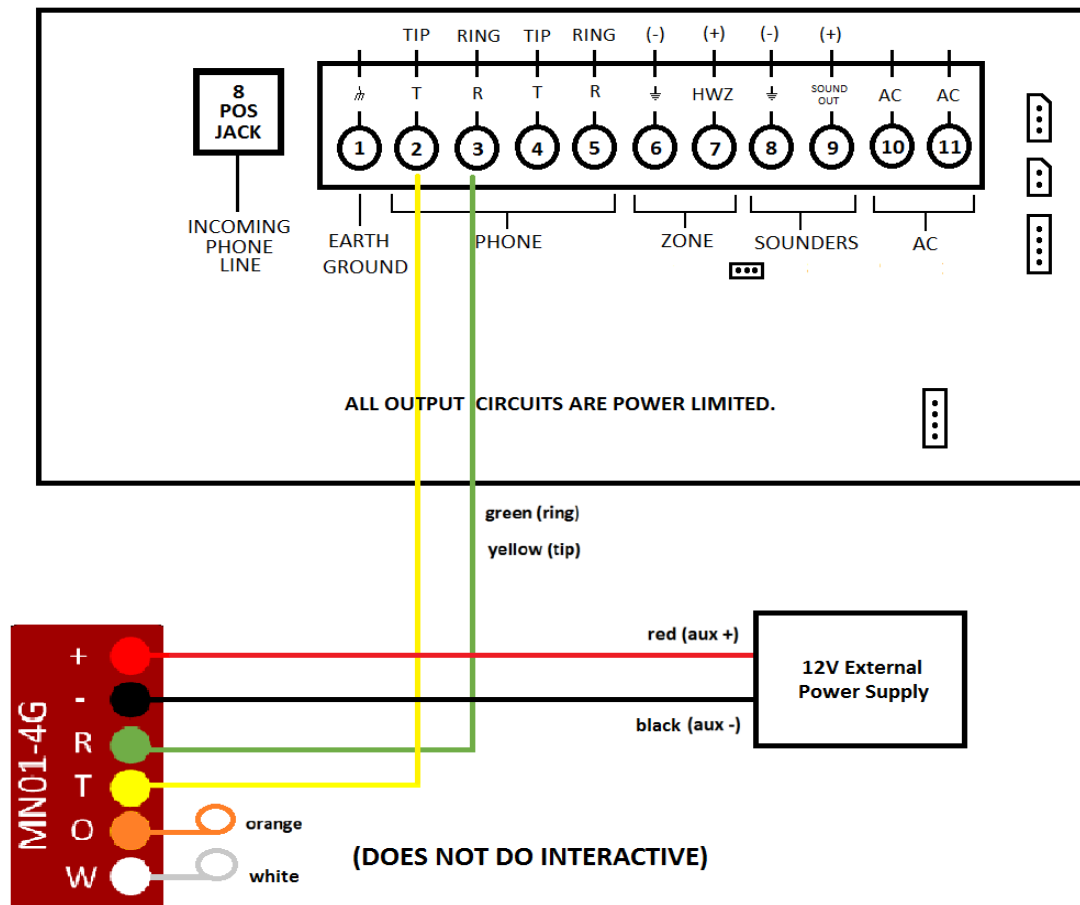
KEYPAD DISPLAY	ENTER ON KEYPAD	COMMENTS
Primary Phone Number	*41	Enter Primary Phone Number
Primary Account Number	*43	Enter Primary Account Number
Phone System Select	*47	Enter 1 For Tone Dialing
Reporting Format	*48	Enter 7, 7 For Contact ID Format
Split/Dual Reporting	*49	Enter 0 For All Reports
15 Sec Dialer Delay	*50	Enter 0 For NO Dialer Delay



# ALL AMERICAN MONITORING

## Wiring the MN01-4G Cellular Communicator and Programming the Panel

### LYNX PLUS



**NEW FEATURE:** For Mini01-4G-V2, the status of the panel can be retrieved not only from the status PGM but now also from the Keyswitch arm/disarm. Therefore, wiring the white wire and programming of the status PGM of the panel is optional.

Wiring the white wire is necessary only if the Open/Close reporting is enabled.

**IMPORTANT NOTE:** The Open/Close reporting needs to be enabled during the initial pairing procedure.